

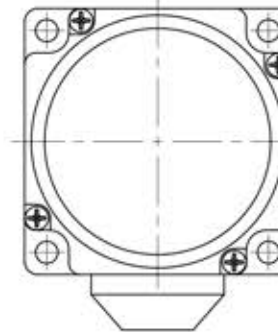
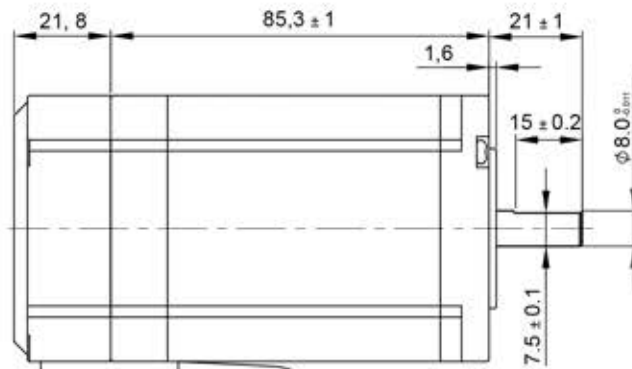
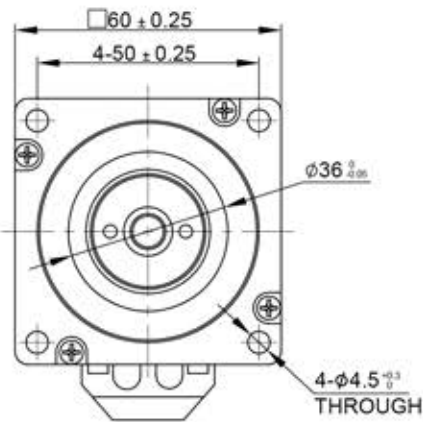
Dimension Unit = mm

RoHS COMPLIANT



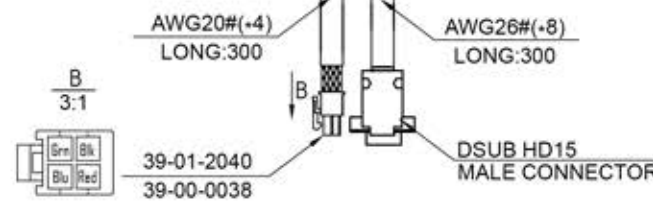
TM-STPP-24-3-R2500

REV: A



Encoder Control (2500CPR)

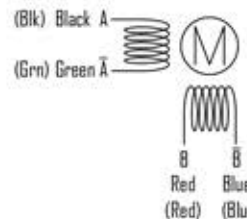
1	Black	EGED
2	Red	+5VCC
3	Blue	EA+
4	Blue/White	EA-
5	Orange	EB+
6	Orange/White	EB-
7	Green/White	EZ-
8	Green	EZ+



Motor Specification

Number of Phase	2
Basic Step Angle	1.8°
Positional Accuracy (No-Load)	±0.09° Max
Rated Current (Phase)	3.0A
Resitanc (Phase) at 20°C	1.3Ω±10%
Inductance (Phase) at 1KHz, 1V rms	5.0mH±20%
Holding Torque	3.0Nm
Rotor Inertia	≈690g·cm ²
Mass	≈1.3Kg
Radial Play (Max)	0.025mm (Load 450g)
Axial Play (Max)	0.075mm (Load 920g)
Duty	Continuous
Dielectric Strength	500V A.C
Insulation Resistance	100MΩ Min
Insulation Class (UL)	B
Temperature Rise	80K Max
Life (Hours)	5000 Min
Operation Ambient Temperature	0°C~+70°C
Operation Ambient Humidity	20%RH~90%RH
Storage Ambient Temperature	-20°C~+70°C
Storage Ambient Humidity	15%RH~95%RH

Wiring Diagram



Phase Sequence(2 Phase Exciting)

CW ↓	Step	A	B	A	B	CCW ↑
	1	+	+	-	-	
	2	-	-	+	+	
	3	-	-	+	+	
	4	+	+	-	-	
5	+	+	-	-		

Label Description

Arcus Servo Motion, Inc.

First Angle View

Approved	Material	
Checked	Finish	
Designed	Tolerance ±0.2	NO. 056128
2018.10.12	Scale 1:2	Sheet 1/1

Edition	Revisions	Designe	Date	Drawn	2018.10.12	Scale	1:2	Sheet	1/1
---------	-----------	---------	------	-------	------------	-------	-----	-------	-----